



Profit brass strainers can serve in piping systems that are sensitive for any debris in the medium. They filter out solid parts to protect other equipment such as alarm valves from damage or bad functioning. Type DYST-1/2 has female threaded ends. The strainers are designed so that they can be cleaned without removing them from the piping system.

Characteristics

- Indoor & outdoor use.
- Suitable for use in horizontal & vertical piping with the filter always facing direction downwards.
- Clearly marked with a flow-arrow on the body.
- Installation: please provide the necessary space to allow for basket removal for maintenance.
- Threading: female thread according to standard.

Working pressure

Maximum 2,07 MPa / 20,7 bar / 300 psi.

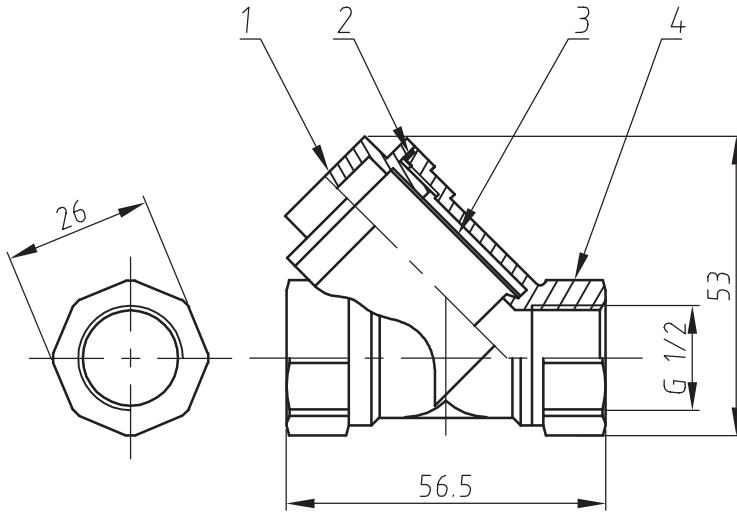
Working temperature

Maximum -10°C to +120°C.

Marking

1/2" - 300 psi.

Dimensions & materials



Item	Part name	Material
1	Cover	Brass
2	Washer	PTFE
3	Screen	SS304
4	Body	Brass

Cleaning / maintenance instructions

Strainers should be inspected and cleaned regularly during regular sprinkler system inspections. This must be done by trained workforce in accordance with local rules.

Steps:

- Remove the pressure from the system, close the water supply.
- The filter cover is provided with a plug to drain the system before opening the cover. Unscrew the drain plug cover.
- Clean the screen from dirt.
- Assemble the unit and take back into service.

GENERAL INFO

- Installers should be trained or experienced to install and understand the product.
- Read and understand all technical datasheets and installation instructions before attempting to install, remove or adjust any Profit piping products.
- Depressurise and drain the sprinkler installation system before attempting to install, remove or adjust any Profit piping products.
- Never work on piping systems that are pressurised and / or filled with water.
- Piping Logistics reserves the right to change specifications, designs and / or standard equipment without notice and without incurring in any obligations.
- Use the necessary Personal Protection Equipment (PPE) to avoid personal injury (helmet, safety shoes and goggles, Profit gloves).



Failure to follow these instructions could result in death or serious injury and property damage.

We advise to always store our products in closed and dry environments, the products do not need any specific maintenance once installed on an aboveground sprinkler installation.

REVISION TABLE

Date	△	Notes
31/07/2024		Initial release.