



Profit brass check valves type ADCV-1/2 are automatic drip check valves that allow water to flow in one direction. The valves are designed to be used in trimsets of Profit dry valves.

Characteristics

- Indoor use.
- ⚠ • To be mounted at the lowest point, it works efficiently when installed in horizontal piping.
- Drip check closes upon an increase in flow velocity, it opens automatically at decrease of pressure.
- Installation by use of appropriate thread sealant.
- The manual release button can be activated to verify that there is no pressure in the pipe.

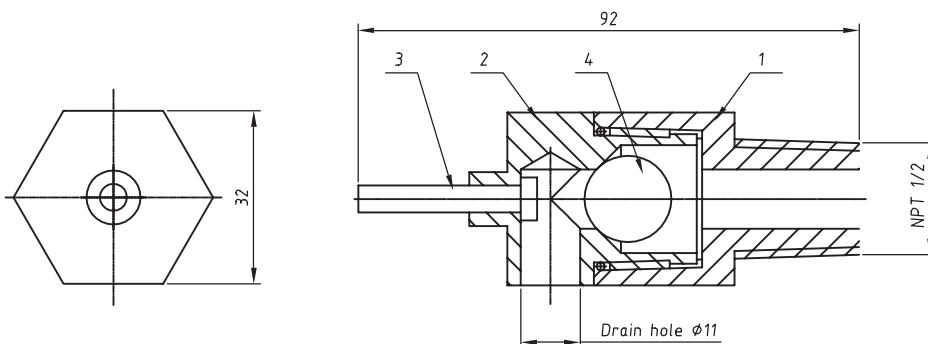
Working pressure

2,07 MPa / 20,7 bar / 300 psi.

Working temperature

0°C to +50°C.

Dimensions & materials



Item	Part name	Material
1	Body	Brass
2	Cover	Brass
3	Post rod	Brass
4	Ball	Rubber



Installation

- Inspection before installation. Checklist:
 1. For replacements: all pipes need to be depressurised and purged before starting the installation.
 2. Check that valve-body and adjacent pipes are clean inside and free of dust / debris.
 3. Personnel for the installation must be qualified for the task.



Maintenance

- ADCV-1/2 valves are basically installed maintenance-free. When a major problem of any kind occurs, please contact the technical department of Piping Logistics.

GENERAL INFO

- Installers should be trained or experienced to install and understand the product.
- Read and understand all technical datasheets and installation instructions before attempting to install, remove or adjust any Profit piping products.
- Depressurise and drain the sprinkler installation system before attempting to install, remove or adjust any Profit piping products.
- Never work on piping systems that are pressurised and / or filled with water.
- Piping Logistics reserves the right to change specifications, designs and / or standard equipment without notice and without incurring in any obligations.
- Use the necessary Personal Protection Equipment (PPE) to avoid personal injury (helmet, safety shoes and goggles, Profit gloves).



Failure to follow these instructions could result in death or serious injury and property damage.

We advise to always store our products in closed and dry environments, the products do not need any specific maintenance once installed on an aboveground sprinkler installation.

REVISION TABLE

Date	△	Notes
30/07/2024		Initial release.
30/08/2024	A	Page 1 - Additional information.