

**Size range: 1/2" - 2"**



The Profit ball valve stem extensions are made to fit on ball valves type THB-F range 1/2" to 2". These are designed and applied especially to allow for ball valve easy operation over insulation packages.

**Characteristics**

- Fits on Profit ball valve THB-F.
- Easy mounting, even when the ball valve is in service.
- Hot forged brass.

**Working temperature**

-40°C to +170°C.

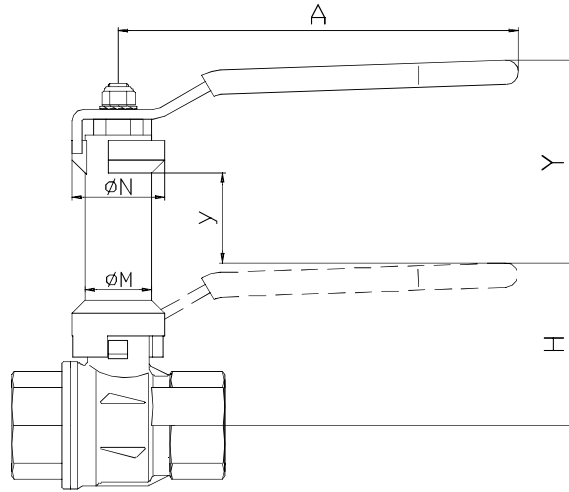
**WARNING**

Freezing of any fluid in the valve may severely damage the valve.

**Size-ranges**

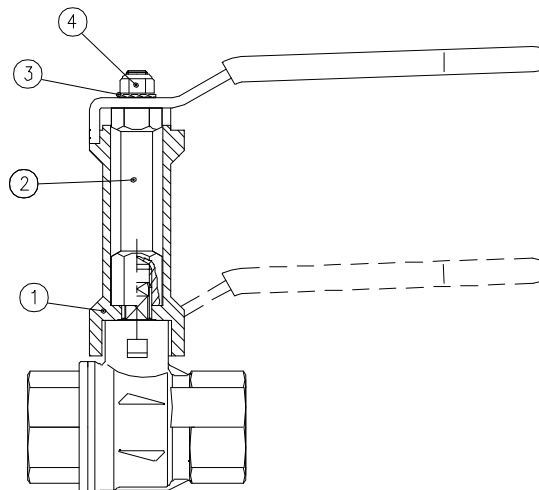
Ball valve size	STEM extension size	Max. insulation thickness (mm)	Weight (g)
1/2"	03 (small)	50	100
3/4"	04 (medium)	56	140
1"	04 (medium)	56	140
5/4"	05 (large)	60	265
6/4"	05 (large)	60	265
2"	05 (large)	60	265

**Dimensions**



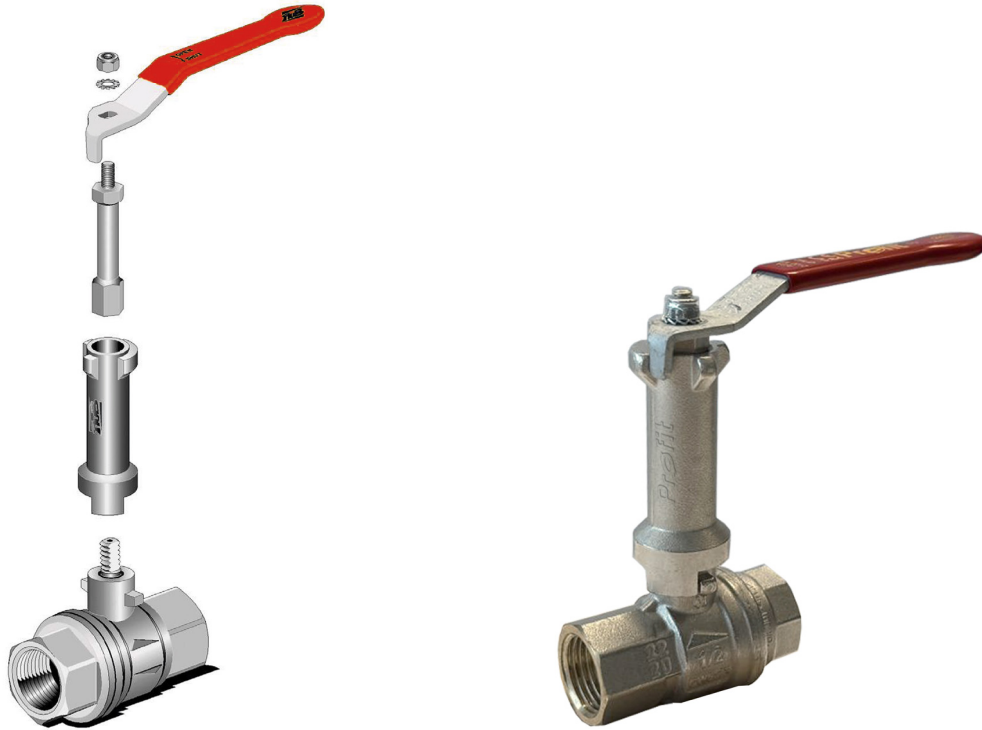
STEM size	M (mm)	N (mm)	A (mm)	Y (mm)	y (mm)	H	THB-F
03	17	25	100	56,5	26,5	43	1/2"
04	20	28	120	62,5	27,5	50	3/4"
04	20	28	120	62,5	27,5	54	1"
05	26	36	158	67,5	20,5	73	1 1/4"
05	26	36	158	67,5	20,5	79	1 1/2"
05	26	36	158	67,5	20,5	86	2"

**Materials**

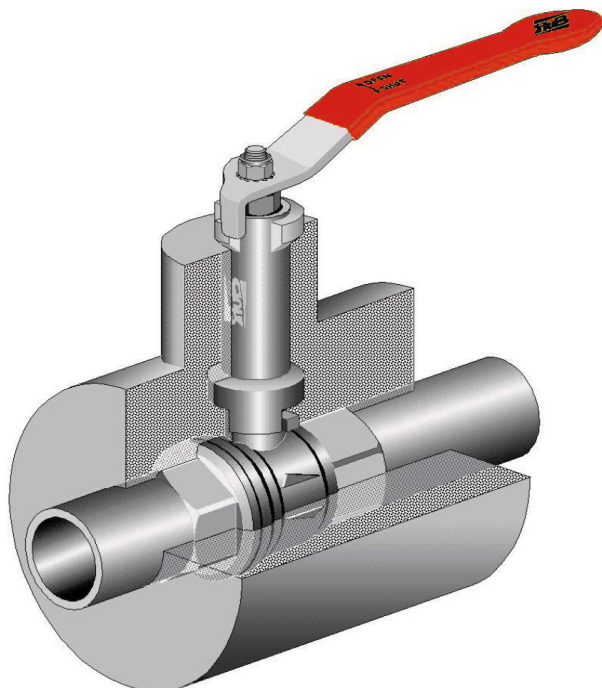


N°	Material
1	CW617N - Nickel plated
2	CW617N - Nickel plated
3	Steel - Electroplated
4	Steel - Electroplated

**Installation example:**



**Insulated valve example:**



**GENERAL INFO**

- Installers should be trained or experienced to install and understand the product.
- Read and understand all technical datasheets and installation instructions before attempting to install, remove or adjust any Profit piping products.
- Depressurise and drain the sprinkler installation system before attempting to install, remove or adjust any Profit piping products.
- Never work on piping systems that are pressurised and / or filled with water.
- Piping Logistics reserves the right to change specifications, designs and / or standard equipment without notice and without incurring in any obligations.
- Use the necessary Personal Protection Equipment (PPE) to avoid personal injury (helmet, safety shoes and goggles, Profit gloves).



**Failure to follow these instructions could result in death or serious injury and property damage.**

**We advise to always store our products in closed and dry environments, the products do not need any specific maintenance once installed on an aboveground sprinkler installation.**

**REVISION TABLE**

Date	△	Notes
15/05/2024		Initial release.