

Profit

BY PIPING LOGISTICS

Profit
0000-PPF24C203-01-11
PN20BAR - EN10217-1
WWW.PIPINGPRODUCTS.COM

PREFABRICATED SPRINKLER PIPES

PRO PIPING PRODUCTS

Pro Piping Products specialises in the production of high quality prefabricated sprinkler pipes. We implement strict control measures to ensure each pipe meets the highest industry standards. Our new installations for welding, roller grooving, and painting are completely automated, guaranteeing high and consistent quality of welded products. Depend on Pro Piping Products for efficient, trustworthy, and durable piping solutions that seamlessly fit into your sprinkler system.

**Strength in every weld,
safety in every flow.**

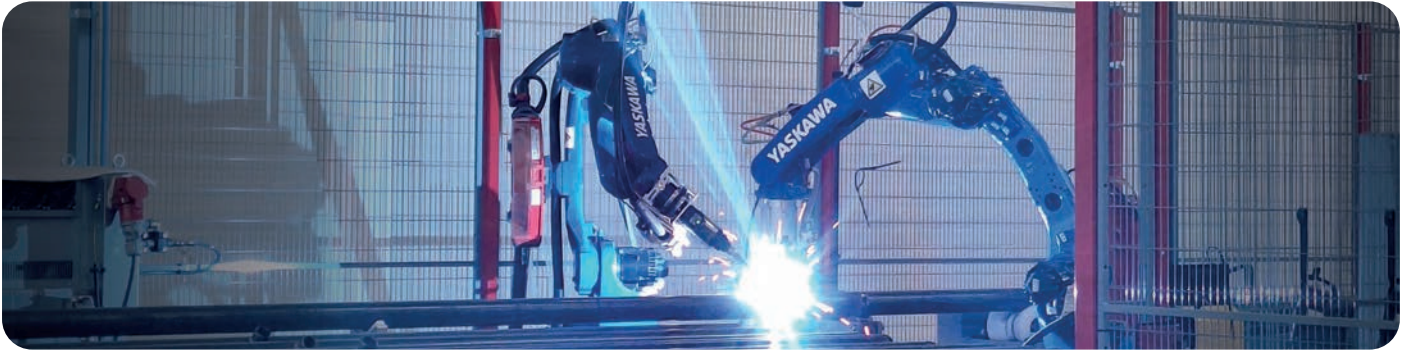


Certifications and standards

We have established extensive quality control systems both upstream and downstream.

- FM standard approval (*coming soon*)
- EN 10217-1
- ISU certificate
- ISO 9001
- ISO 14001





OUR MISSION

Pro Piping Products and Piping Logistics are committed to offering top quality products for various installations, aiming to be Europe's leading specialist in this field. We strive to offer a wide range of products, including prefab pipes, grooved fittings, and related side products, for various industries.

Flexibility

We prioritise flexibility, tailoring products, services, and logistics to meet each customer's unique needs. Our extensive inventory and efficient supply chain aim to reduce delays and improve delivery efficiency.

Network

We pursue vertical and horizontal integration, partnering with suppliers, distributors, and installers to stay aligned with all industry aspects, from production to end-user, boosting product relevance.

Quality

Our QA process aims to exceed industry standards, ensuring customer satisfaction. Through various tests and audits, we ensure top performance and liability, maintaining the highest level of safety in all our products.

Quality testing



Automatic pipe seam detection & positioning



Liquid penetrant testing



Thermal optics QA

Prefabricated sprinkler pipes: dimensions - values

Standard: EN10217-1 ERW*

DN	OD (mm)	NPS (inch)	Thickness (mm)	Min. length (m)	Max. length (m)	Weight (kg/m)	Length	
							6m	+6m
32	42,4	1¼"	2,6	3	6,25	2,55	in stock	on request
40	48,3	1½"	2,6	3	6,25	2,93	in stock	on request
50	60,3	2"	2,6	3	6,25	3,70	in stock	on request
65	76,1	2½"	2,6	3	6,25	4,71	in stock	on request
80	88,9	3"	2,9	3	6,25	6,15	in stock	on request
100	114,3	4"	3,2	3	6,25	8,77	in stock	on request
125	139,7	5"	3,6	3	6,25	12,10	in stock	on request
150	168,3	6"	4	3	6,25	16,21	in stock	on request
200	219,1	8"	4,5	3	6,25	23,82	in stock	on request

*FM coming soon

Thin wall pipes - Standard: EN10217-1 ERW*

DN	OD (mm)	NPS (inch)	Thickness (mm)	Min. length (m)	Max. length (m)	Weight (kg/m)	Length	
							6m	+6m
50	60,3	2"	2,0	3	6,25	3,0	on request	on request
65	76,1	2½"	2,0	3	6,25	3,9	on request	on request
80	88,9	3"	2,0	3	6,25	4,5	on request	on request

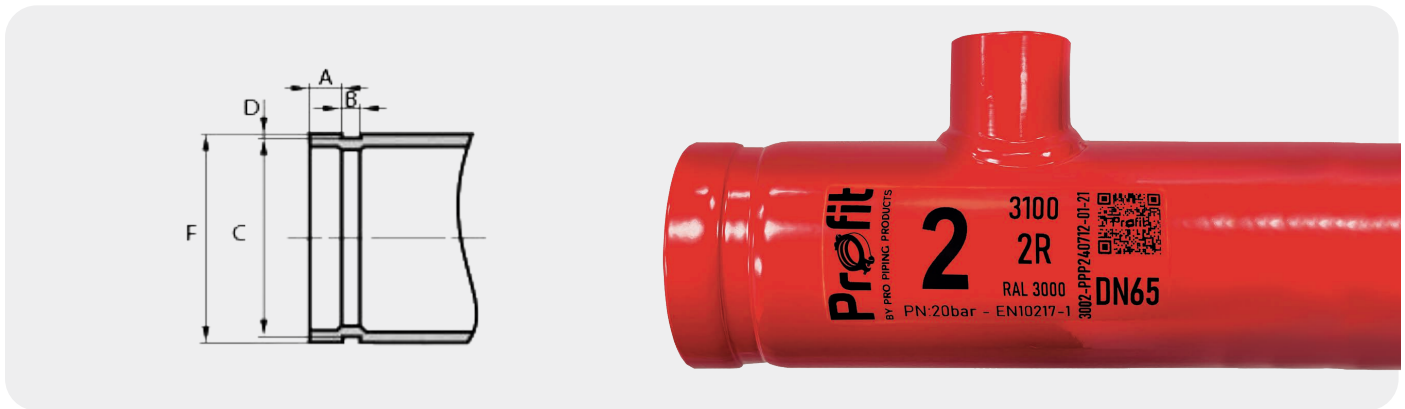
*FM coming soon

Plain end pipes and grooved sprinkler pipes (without outlets)

Standard: EN10217-1 ERW

DN	OD (mm)	NPS (inch)	Thickness (mm)	Min. length (m)	Max. length (m)	Weight (kg/m)	Length	
							6m	+6m
25	33,7	1"	2,3	0,2	6,25	1,78	in stock	on request
32	42,4	1¼"	2,6	0,2	6,25	2,55	in stock	on request
40	48,3	1½"	2,6	0,2	6,25	2,93	in stock	on request
50	60,3	2"	2,6	0,2	6,25	3,70	in stock	on request
65	76,1	2½"	2,6	0,2	6,25	4,71	in stock	on request
80	88,9	3"	2,9	0,2	6,25	6,15	in stock	on request
100	114,3	4"	3,2	0,2	6,25	8,77	in stock	on request
125	139,7	5"	3,6	0,2	6,25	12,10	in stock	on request
150	168,3	6"	4	0,2	6,25	16,21	in stock	on request
200	219,1	8"	4,5	0,2	6,25	23,82	in stock	on request

Rolled groove dimensions according to AWWA C606



Pipes are marked with a clearly legible label - label lettering can be personalised on request.

Nominal pipe size		Outside diameter	Gasket seat A	Groove width B	Groove diameter C		Groove depth D	Maximum outspread F
NPS (DN)	Size mm	Size mm	Tolerance +0,4 / -0,8 mm	Tolerance +0,8 / -0,4 mm	Size	Tolerance mm	mm	mm
1	25	33,7	15,9	7,1	30,2	+0 / -0,3	1,6	34,5
1¼	32	42,4	15,9	7,1	39,0	+0 / -0,4	1,6	43,3
1½	40	48,3	15,9	7,1	45,1	+0 / -0,4	1,6	49,4
2	50	60,3	15,9	8,7	57,2	+0 / -0,4	1,6	62,2
2½	65	76,1	15,9	8,7	72,3	+0 / -0,4	2,0	77,7
3	80	88,9	15,9	8,7	84,9	+0 / -0,4	2,0	90,6
4	100	114,3	15,9	8,7	110,1	+0 / -0,5	2,2	116,2
5	125	139,7	15,9	8,7	135,5	+0 / -0,5	2,2	141,7
6	150	168,3	15,9	8,7	164,0	+0 / -0,6	2,2	170,7
8	200	219,1	19,1	11,9	214,4	+0 / -0,6	2,4	221,5

Outlet combinations

Pipe size	Threaded outlets					
	½"	¾"	1"	1¼"	1½"	2"
DN32	✓	✓	✓			
DN40	✓	✓	✓	✓		
DN65	✓	✓	✓	✓	✓	✓
DN80	✓	✓	✓	✓	✓	✓

Pipe size	Grooved outlets					
	1"	1¼"	1½"	2"	2,5"	3"
DN32	✓					
DN40	✓	✓				
DN65	✓	✓	✓	✓		
DN80	✓	✓	✓	✓		
DN100				✓	✓	✓
DN125				✓	✓	✓
DN150				✓	✓	✓

WHY CHOOSE OUR PREFAB SPRINKLER PIPES?

01 Characteristics

- Standard 10217-1 steel grade P235TR1.
- Rolled groove dimensions according to AWWA C606.
- Pipe length tolerances = 0/+10mm.
- Working pressure: pressure nominal = 2,07 MPa / 20,7 bar / 300 psi.

02 Finishing

With different finishes, we are able to perfectly fit your preferences:

- Standard colour: epoxy RAL 3000.
- Other colours: on request.
- Galvanised: on request.

The colours are applied using an electrostatic powder painting process.

03 Welding inspection

We guarantee top quality by thorough welding inspection, making sure outlet welds are never positioned on the longitudinal seam of the pipe:

- Non-destructive DPT test.
- Hydraulic tests.

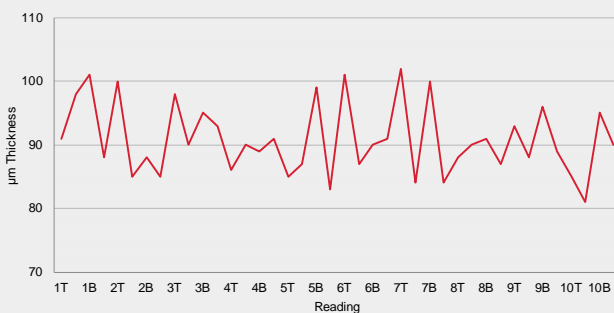
04 Painting inspection

Like the welds, the paint has been fully inspected as well, ensuring the best quality:

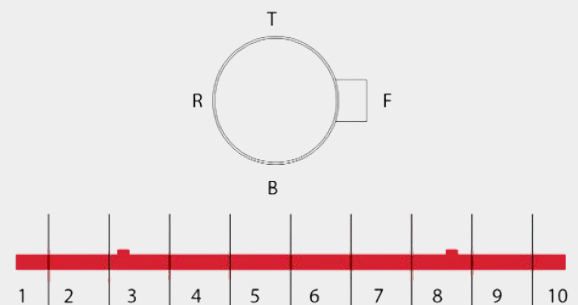
- Layer thickness control.
- Adhesion: cross-cut test according to ISO2409.
- Minimum layer thickness: 80µm.



µm thickness & reading

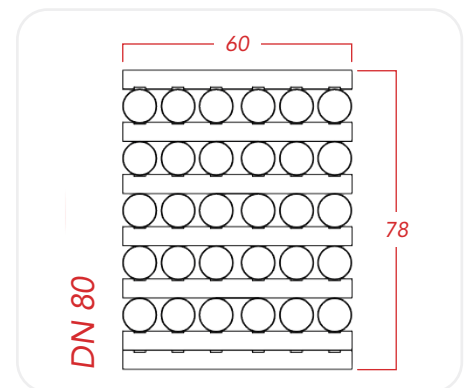
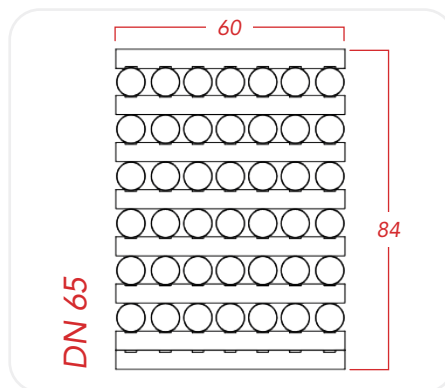
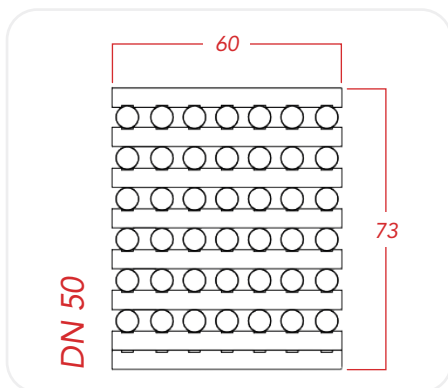
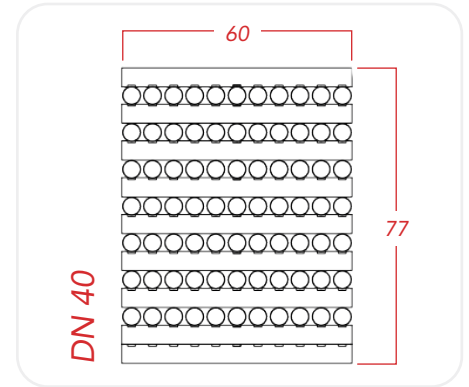
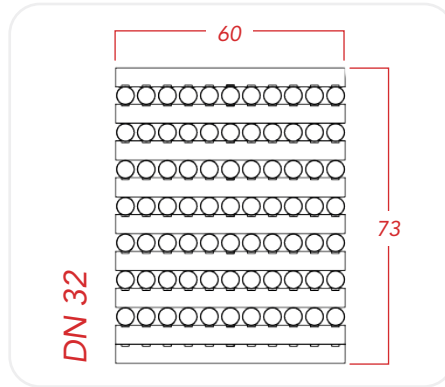


Data reporting



Standard package 6m pipes

DN	QTY	Total package weight (kg)
32	77	1060
40	77	1215
50	42	940
65	42	1195
80	30	1115



General info

Pro Piping red coated pipes are intended for piping with indoor application (EN 12944-2 corrosivity category C1 & C2).

For galvanised outdoor installations please contact office@propipingproducts.com.

We advise to always store our products in closed and dry environments.

Order your prefabricated sprinkler pipes here.

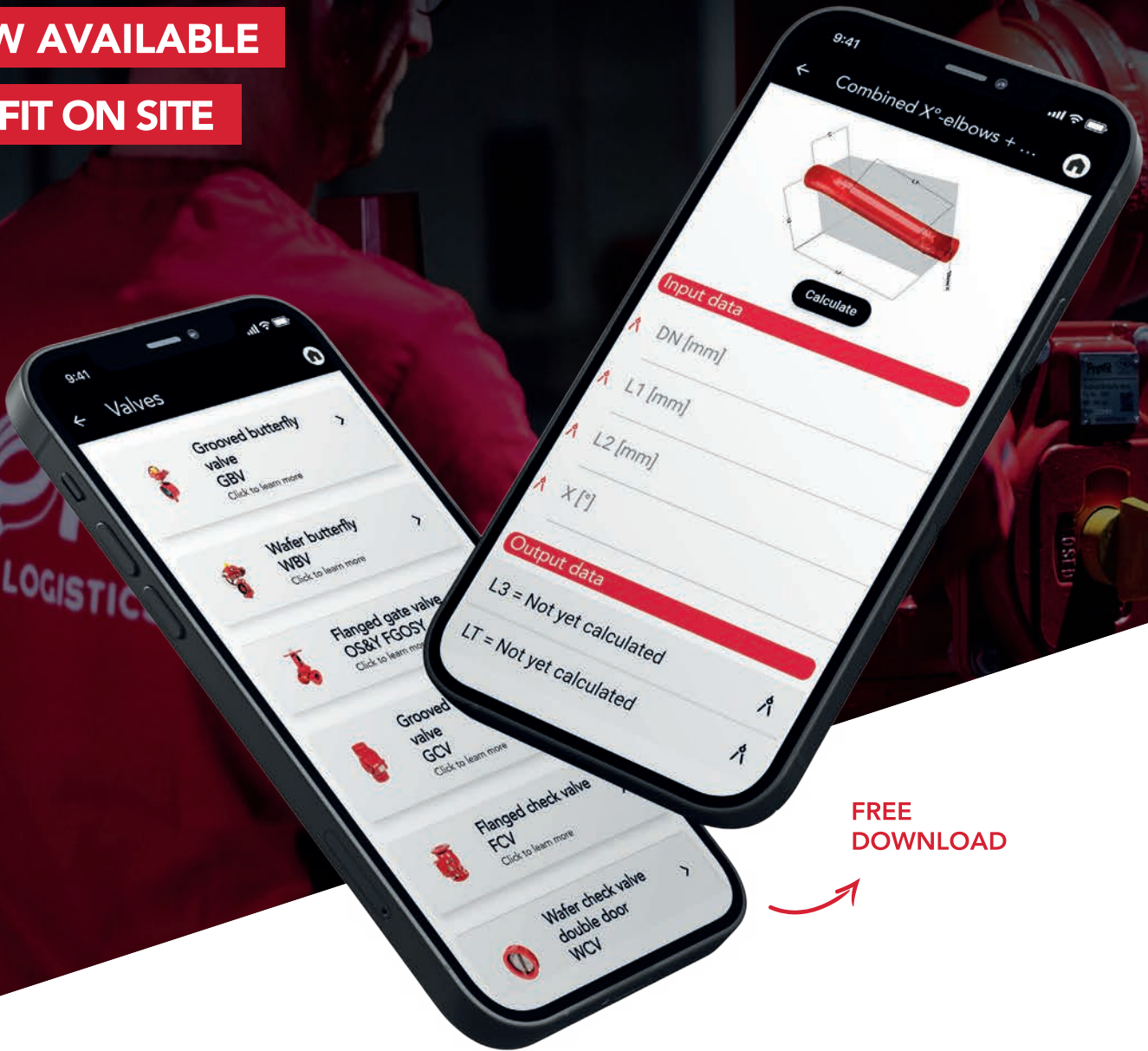
Scan the QR code to open the order form.



Profit ON SITE

NOW AVAILABLE

PROFIT ON SITE



FREE
DOWNLOAD

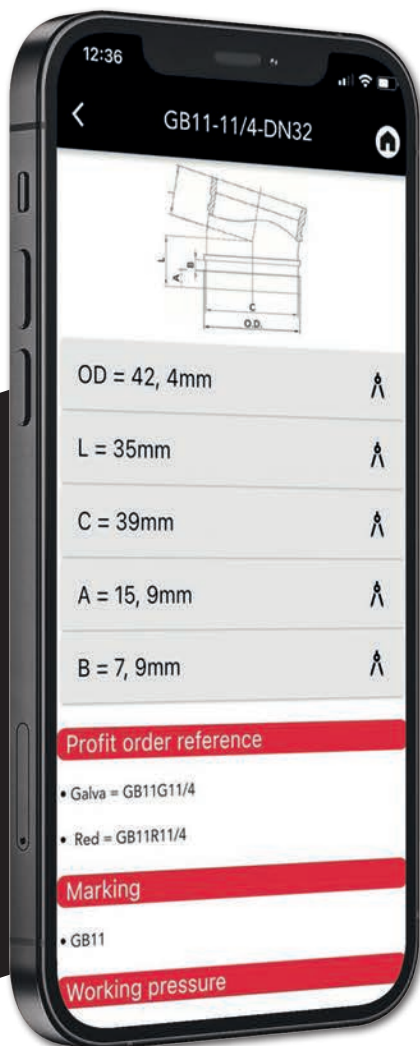
DIRECT ACCESS TO TECHNICAL PRODUCT INFORMATION,
CALCULATIONS AND COMBINATIONS.

SAVE TIME WITH PROFIT ON SITE

With the **Profit On Site** app on your smartphone or tablet, you have direct access to all technical information about Profit brand products, whether you are **on site or on the road**. This **user-friendly** app is the perfect tool for an **extensive product overview** with drawings, calculations and combinations. Simple & **fast access** to dimensional product information, latest technical datasheets, installation instructions and video tutorials. **Save time** with the **Profit On Site** app by quickly finding what you need in one place!

MAIN FEATURES

- Length calculations of combined fitting-fitting and fitting-pipespool combinations (2D & 3D).
- Offline access to all dimensional product data, including technical drawings (zoom-in possible).
- Online access to:
 - Installation instructions.
 - Technical datasheets.
 - Videos & tutorials.
- Save time: quickly find all info in one place.
- Fast, convenient and user-friendly.



Profit  ON SITE

DOWNLOAD OUR APP







SCAN ME



DISCOVER OUR COMPLETE PRODUCT RANGE

Scan the QR code to open our product catalogue, where you can find all our products and their main features, dimensions, certifications and more. Together with high quality pictures and some references.



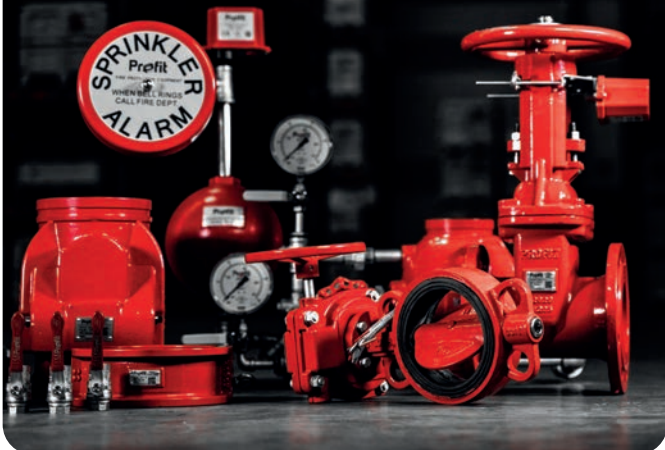
COUPLINGS & FITTINGS



PREFABRICATED SPRINKLER PIPES



VALVES



SWITCHES



FLEXIBLE HOSES



ACCESSORIES





Edition 2024-09-12

Piping Logistics bv
Head office

Industrielaan 27
9320 Erembodegem
Belgium

T: +32 53 64 51 00

info@pipinglogistics.eu
www.pipinglogistics.eu

Pro Piping Products srl
Production plant

Calea Aradului 69
Sânandrei, Timis
Romania

T: +40 711 93 94 35

office@propipingproducts.com
www.propipingproducts.com

Follow us online:

