

PN 16 (EN1092-2)

Grooved adapter flanges allow the connection between flanged and grooved end equipment.

Reference		Nominal size		Pipe Ø O.D.	Grooved adaptor flange dimensions									Weight	Marking
Red	Galva	NPS inch	DN mm	mm	L mm	Ø D mm	Ø d mm	Holes n	Hole Ø mm	Bolt size	C mm	A mm	B mm	kg	
GAF16R	GAF16G	2	50	60,3	60	165	125	4	19	M16	57,2	15,9	7,9	1,34	GAF16
GAF16R	GAF16G	2½	65	73,0	60	185	145	4	19	M16	69,1	15,9	7,9	1,75	GAF16
GAF16R	GAF16G	2½	65	76,1	60	185	145	4	19	M16	72,3	15,9	7,9	1,69	GAF16
GAF16R	GAF16G	3	80	88,9	60	200	160	8	19	M16	84,9	15,9	7,9	2,13	GAF16
GAF16R	GAF16G	4	100	108,0	60	220	180	8	19	M16	103,7	15,9	9,5	2,50 ¹⁾	GAF16
GAF16R	GAF16G	4	100	114,3	60	220	180	8	19	M16	110,1	15,9	9,5	2,47	GAF16
GAF16R	GAF16G	5	125	133,0	65	250	210	8	19	M16	129,1	15,9	9,5	4,00 ¹⁾	GAF16
GAF16R	GAF16G	5	125	139,7	65	250	210	8	19	M16	135,5	15,9	9,5	3,30	GAF16
GAF16R	GAF16G	5	125	141,3	65	250	210	8	19	M16	137,0	15,9	9,5	4,20	GAF16
GAF16R	GAF16G	6	150	159,0	65	285	240	8	22	M20	154,5	15,9	9,5	4,00 ¹⁾	GAF16
GAF16R	GAF16G	6	150	165,1	65	285	240	8	22	M20	160,9	15,9	9,5	4,02	GAF16
GAF16R	GAF16G	6	150	168,3	65	285	240	8	22	M20	164,0	15,9	9,5	4,48	GAF16
GAF16R	GAF16G	8	200	219,1	70	340	295	12	22	M20	214,4	19,1	11,1	5,88	GAF16
GAF16R	GAF16G	10	250	273,0	85	405	355	12	26	M24	268,3	19,1	12,7	10,35 ²⁾	GAF16
GAF16R	GAF16G	12	300	323,9	85	460	410	12	26	M24	318,3	19,1	12,7	12,40 ²⁾	GAF16
GAF16R	GAF16G	16	400	406,4	112	580	525	12	30	M27	400,8	23,8	11,9	28,90 ²⁾	GAF16

Material specifications

Housing: ductile iron in accordance with ASTM A536 GR 65-45-12

Coating:

- Hot dip galvanised
- Red paint coating RAL 3000, EPD epoxy coating

Working pressure

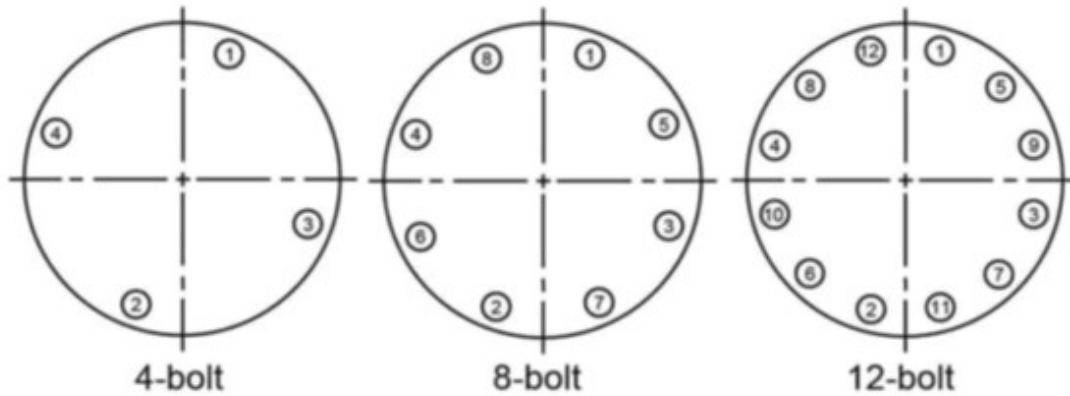
300 psi / 2068 kPa / 20,7 barg

General notes:

- ¹⁾ No UL-approval / ²⁾ No FM- and UL-approval
- Pressure ratings listed are CWP (cold working pressure) or MWP (maximum working pressure) at a maximum service temperature of 50°C. This rating may occasionally differ from maximum working pressure listed and/or approved by UL and/or FM, as testing conditions and test pipes can differ. For more information, please contact info@pipinglogistics.eu.
- Maximum working pressure listed is the total of internal and external pressures based on standard weight (ANSI) steel pipe and standard roll or cut groove in accordance with Profit specifications. For more information, please contact info@pipinglogistics.eu.
- For one time field test only, the maximum joint working pressure may be increased by 150% the figure shown.
- Warning: Piping systems must always be depressurized and drained before attempting disassembly and/or removal of any components.
- Profit reserves the right to change specifications, designs and/or standard equipment without notice and without incurring in any obligations.
- Profit red coated products are intended for piping with indoor application (EN 12944-2 corrosivity category C1 & C2). For outdoor installations near the sea (corrosivity category C3) We advise the use of our hot dip galvanized couplings and fittings. For application in corrosivity category C4 (higher salinity climate) or higher, please contact info@pipinglogistics.eu.
- We strongly advise to always store our products in closed and dry environments.

BOLT TORQUE SEQUENCE

(Bolt N°1 is the bolt closest to biggest gap between the 2 flanges)



Our advice =

- STEP 1 = 30 %
- STEP 2 = 60 %
- STEP 3 = 100 %

BOLT TORQUE = depends on the applied gasket-type and on the bolt material grade.

GROOVED ADAPTER FLANGE GAF16

